

- ✓ MODULAR DECK SYSTEM
- ✓ EASY TO ASSEMBLE
- ✓ BUILDING CODE COMPLIANT
- ✓ SAVES TIME AND MONEY



GOOD
TIMES

HOW TO ASSEMBLE YOUR MODULAR DECK SYSTEM.



Decks made Easy!

Available at
BUNNINGS
warehouse
bunnings.com.au



GOOD TIMES

Decks made Easy!

OUR VISION

Everyone should have the opportunity to enjoy our little piece of the 'Aussie Dream'. Designed and manufactured to the Building Code and suitable for domestic and commercial use less than 1 metre high. Build your own "Goodtimes" in a configuration that meets your needs.

ALL YOU REQUIRE IS:

Various Drill Bits:

3mm Drill Bit

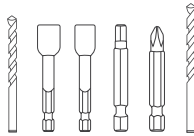
47mm 3/8" Nutsetter

64mm 1/4" Nutsetter

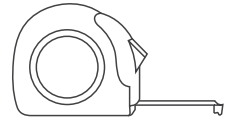
47mm x 5mm Hex Drive

64mm Phillips Head Drive #2

4mm Drill Bit



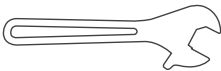
Various Drill Bits
(Refer to list)



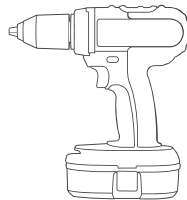
Tape Measure



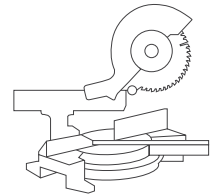
Spirit Level



Shifter or Spanner
to suit 16mm nut



Impact Driver, Electric
or Cordless Drill



Drop Saw should you
wish to cut your own decking
and baseboards

INTRODUCTION

The Goodtimes DIY Modular Decking System is a fast and cost effective way to build your own deck. It consists of modular base frames that sit on a variety of different adjustable supports that enable retrofitting into any existing area without digging any holes. Prefabricated decking panels make laying your deck fast and easy

WHAT SURFACE CAN YOU BUILD A GOOD TIMES DECK ON?

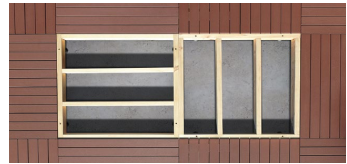
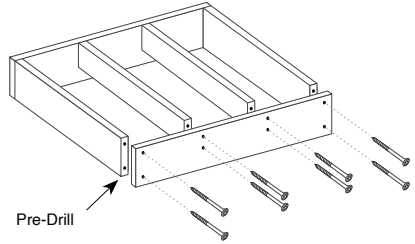
A Good Times DIY modular deck can be built on concrete (ie alfresco areas), existing pavers or even on grass/soil (using a concrete paver as your support base).

STEP 1: CHOOSE THE SIZE OF YOUR DECKING

- Measure the height of your deck
- Measure the size of your deck
- To help plan and cost your deck, login to our website and use the deck planner

STEP 2: ASSEMBLE YOUR BASE FRAMES

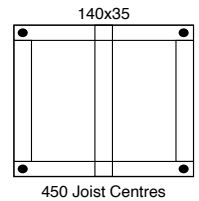
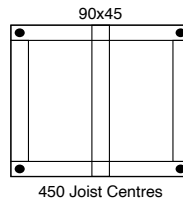
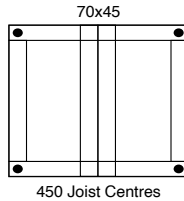
- Base Frames are available in 70x45mm and 90x45mm (for Domestic use only) or 140x35mm (for Domestic, Commercial and Steps).
- Select a number of base frame kits.
- Using an electric or cordless drill, pre-drill (4mm hole) and assemble the base frame members using the screws purchased (fixings not included). Note: Outside frames are pre-drilled but end grain is not.
- Refer to the “Select your Fixings” table below for required fixings as they are not included with the base frame kit.



BASE FRAME TYPES

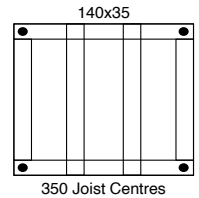
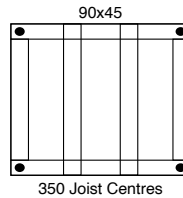
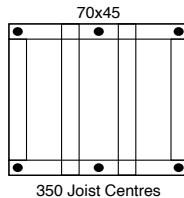
Trade Frames
(suit long length decking)

945x945mm Frames



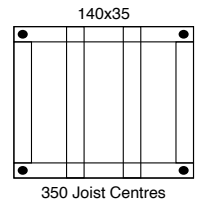
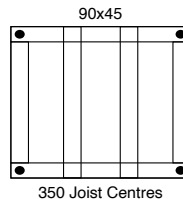
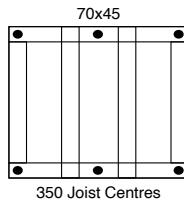
DIY Frames
(suit Pine/Merbau panels)

1116x1116mm Frames



DIY Frames
(suit Ekodeck panels)

1144x1144mm Frames



SELECT YOUR FIXINGS

FIXINGS PER CONNECTION ITEM

Use this chart to find the right screws to build your Good Times Co. Modular Deck

TYPE OF SCREW AND SIZE

TYPE OF SCREW AND SIZE		Base Frame Kits	Merbau/Pine Half Deck Panel to Base Frame	Ekodeck+ Panel to Base Frame	Dropper Part 'A' to Base Frame	Step Connector to Base Frame	Dropper Part 'A' to Dropper Part 'B'	Base Frame to Base Frame	Steele Support to Base Frame	Vertical Cladding to Dropper Part 'B'
External Timer Screws, Galvanised (Countersunk Rib, Phillips Head)	10ga - 8 x 65mm		12							Min 2
Quickfix Hidden Fastening System Stainless steel and Plastic components	Standard Clips			5 - 7						
	Locking Clips			2						
Timer Screw Galvanised, Type 17 (Bugle Head Batten)	14ga - 10 x 75mm or 85mm	16			2	4	Min 2	6		
Timer Screw Galvanised, Type 17 (Hex Head)	14 ga - 10 x 50mm								4	

STEP 3: SET YOUR HEIGHTS AND JOIN BASE FRAMES

SELECT YOUR SUPPORT COMPONENTS FROM THE FOLLOWING TABLES



Steel Support



Steel Feet

Base Frame Kit - 70x45mm (Domestic)

Height Range	Steel Support	Support Feet
110mm - 150	NO	50mm

Note: Lock nut to be removed from adjustable foot to achieve the minimum heights above

Base Frame Kit - 90x45mm (Domestic)

Height Range	Steel Support	Support Feet
130mm - 220mm	NO	100mm
200mm - 365mm	140mm	150mm
330mm - 495mm	270mm	150mm
460mm - 625mm	400mm	150mm
590mm - 755mm	530mm	150mm

Note: Lock nut to be removed from adjustable foot to achieve the minimum heights above

Base Frame Kit - 140x35mm (Domestic and Commercial)

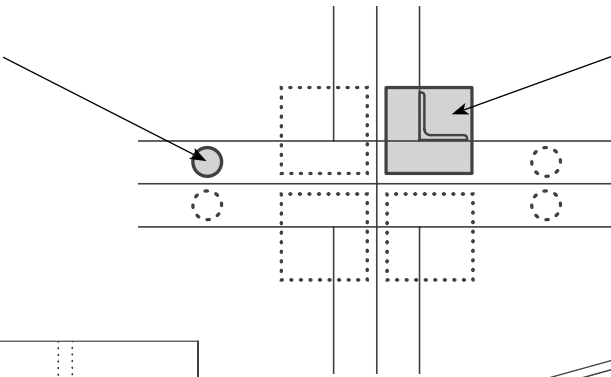
Height Range	Steel Support	Support Feet
180mm - 260mm	NO	100mm
250mm - 415mm	140mm	150mm
380mm - 545mm	270mm	150mm
510mm - 675mm	400mm	150mm
640mm - 805mm	530mm	150mm

Note: Lock nut to be removed from adjustable foot to achieve the minimum heights above

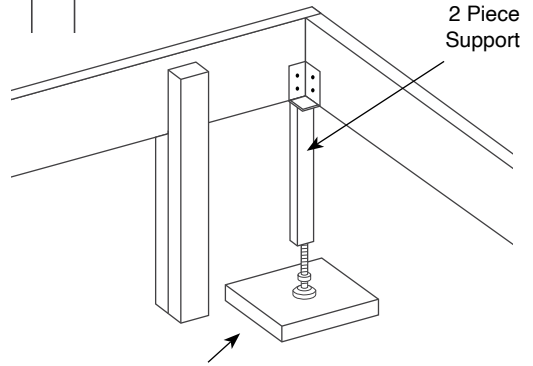
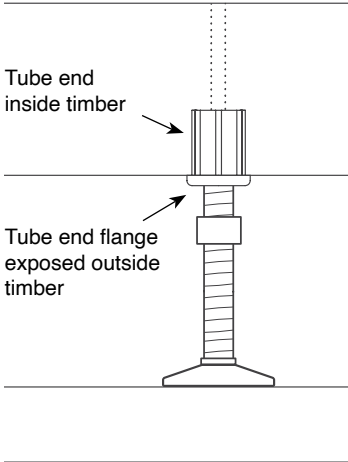
CONNECTING SUPPORTS TO FRAMES:

- Lower height ranges using only the 50mm or 100mm foot have a knock in tube end which goes directly into the base frame's pre-drilled holes. Unscrew the tube end, then using a hammer, knock it into the underside of the base frame module ensuring only one is inserted at an intersection (see page 4). Once this is done, reattach the foot – you can use the key head at the top of the foot to adjust the height by using a cordless drill through the hole in the top of the frame.
- All other height ranges require a 2 piece support, including a steel component and 150mm foot. Screw the 150mm foot into the base of the steel support. Place the top of the steel support into the internal corner of the base frame module and attach using the fixings purchased (see Step 2 – Select your fixings), remember to pre-drill a shallow 4mm hole in the timber. Ensure only one support is attached at an intersection.

Tube ends can only go in these positions (flange exposed). Use only one per intersection.



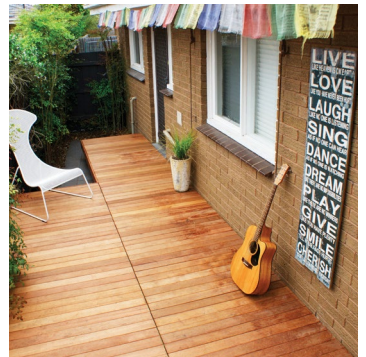
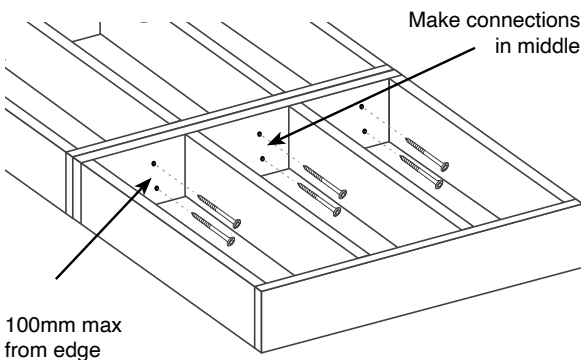
2 piece supports can go in any of these positions - use only one per intersection.



The Support feet can sit directly on a solid surface (such as concrete, bitumen or pavers). If installing over grass or soil, use a concrete paver (approximately 300x300x40mm) as a base for the Support Foot.

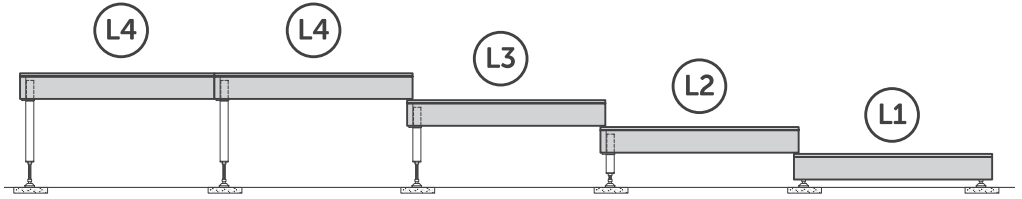
JOIN YOUR BASE FRAMES:

- Once supports are connected to the individual base frames, flip the frames over and place in position.
- Align the top of the frames.
- Make frame to frame connections at below locations using screws purchased (not included) remembering to pre-drill a 4mm hole first.



STEP 4: HOW TO ADD STEPS

Follow the below instructions to add steps using more modules



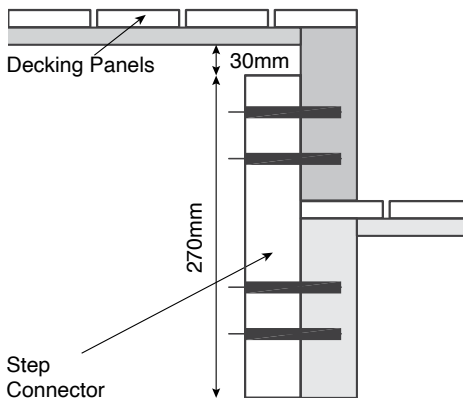
1. SELECT YOUR TIMBER:

- Additional levels/steps are connected using STEP CONNECTORS which are to be cut from 90x45mm treated pine.
- Ensure all steps assembled are the same height to comply with the Building Code of Australia.

2. CUT STEP CONNECTORS TO SIZE

For a 140x35mm base frame kit the step connector should be 270mm in length.

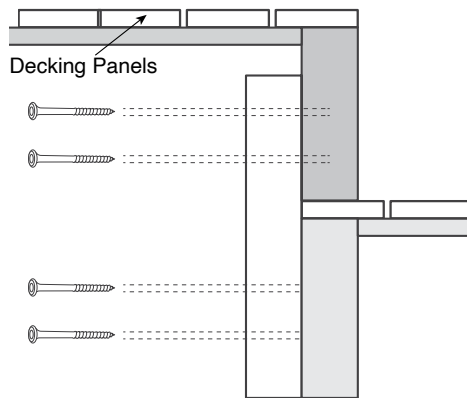
The bottom of the connector should line up flush with the bottom of the lower level base frame. This ensures there is 30mm clearance between the step connector and upper level deck panel.



3. SECURE STEP CONNECTOR

Using 14ga - 10x75mm Timber Screw Galvanised, Type 17 (Bugle Batten) screws secure connector to Base Frames as per example.

Remember to pre-drill 4mm hole once lined up but do not drill all the way through. Ensure the holes are lined up down the step connector.



STEP 5: CLAD AND INSTALL YOUR DECKING

Follow the below instructions to install your decking and conceal the supports of your deck.

1. SELECT TIMBER FOR YOUR DROPPERS:

Purchase length/s of timber that match your base frame kit:

If your base frame is 90x45mm select a 90x45mm timber for component 'B' (See Fig.1). If your base frame is 140x35mm select a 90x35mm timber for component 'B'. Component 'A' should always be constructed from 90x45mm timber regardless of the base frame size.

Correct selection of material for component 'B' will ensure a flush surface for mounting the vertical cladding.

2. CUT DROPPER COMPONENTS TO SIZE:

Your Dropper should be constructed in two parts, 'A' and 'B' (see Fig 1). Begin by calculating component 'A's length. Component 'A's length should be calculated using this formula:

Deck height - 30mm clearance from top of the base frame - 50mm clearance from the ground.
E.g. using a deck height of 650mm; 650mm high deck - 30mm - 50mm = 570mm (is length of component 'A').

Then construct component 'B':

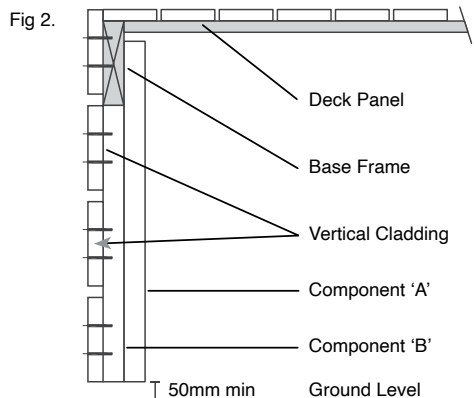
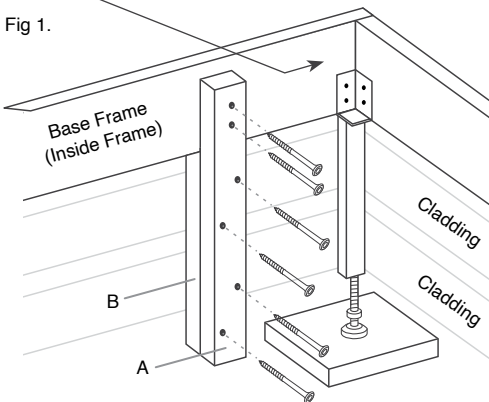
For a 140x35mm base frame 'B' should be 110mm shorter than 'A'

For a 90x45mm base frame 'B' should be 60mm shorter than 'A'

3. ASSEMBLE AND ATTACH DROPPERS TO BASE FRAME:

Secure Component 'A' to 'B' using a staggered screw pattern. The two screws securing the dropper to your base frame should be vertically aligned and not staggered (refer to Fig 1.) Ensure staggered screws are no more than 150mm apart. Pre-drill 4mm holes where required.

*Fix the corner dropper close to the corner of the base frame.



Droppers should be positioned at maximum spacings of 600mm apart.

Use 14 - 10x75mm Type 17 Galvanised Bugle Batten Timber screws to connect component 'A' to base frame and component 'A' to component 'B'. Use 10ga - 8 x 65mm Galvanised Counter Sunk screws to connect vertical cladding to component 'B'.

4. SELECT YOUR DECKING MATERIALS (TWO OPTIONS):

- Purchase a random length pack of decking from Bunnings and cut in your own type of decking.
- OR -
- Select the required number of prefabricated decking panels and fill in your deck. They have been split into 2 halves so they fit into a car and can be lifted by one person (20 kg max weight).

5. INSTALL PREFAB DECKING PANELS:

- Drop the Decking Panels into position over the Base Frame. The decking boards should run in the opposite way to the internal frame members.
- Take care to line up the gaps between the panels and fix into position with fixing screws. TIP: Use Masonite packing strips to achieve perfect gaps
- Run panels the same way or in a parquetry pattern depending on how you assemble the base frames.

*Refer to pages 8 and 9 for Screw/Fixing positions for both Standard and Parquetry layouts.

6. ENCLOSE VERTICAL FACES:

If you have decided to cut in your own deck or clad the vertical faces of your decking you can contact your local Bunnings for advice on the best product for your project.

- 140x19mm Vertical cladding matches the 140x35mm base frames for height. 90x19mm

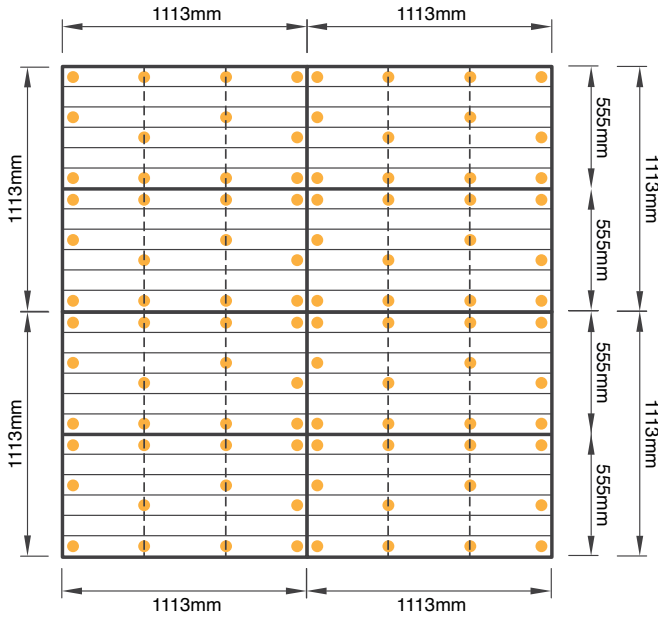
CARE AND MAINTENANCE

Enjoy your new deck for years to come by:

- Not having the timber in contact with the ground.
- Using stainless steel fixing in sea side areas.
- Merbau panels should be stored in a dry, undercover area. Merbau is tannin rich and leaching will occur upon installation. It is recommended and can prolong the life of your deck by applying a suitable oil or stain to these panels (ensure it is clean before application). Oiling the deck boards every year will keep your deck looking like new.
- Please see Ekodeck website for the Designer Series Care & Maintenance Guide - www.ekodeck.com.au



STANDARD LAYOUT: PINE/MERBAU PANELS



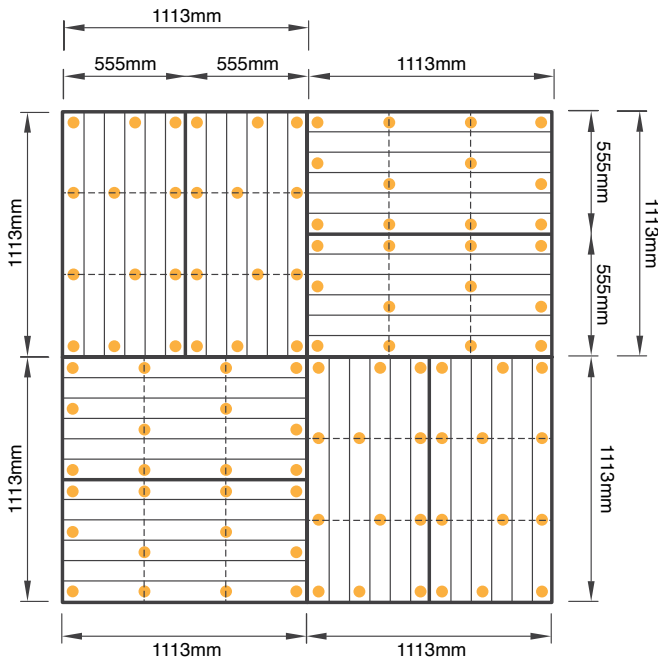
Merbau + Pine
panels suit
1116x1116mm
base frame kits
(in stock)

● Standard Screw
Fixing locations

--- Joists

— Decking Panel
Perimeter

PARQUETRY LAYOUT: PINE/MERBAU PANELS



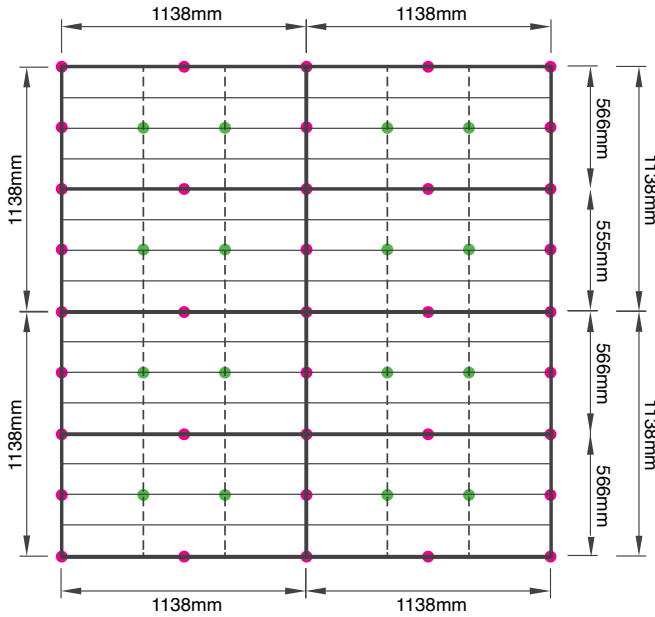
Merbau + Pine
panels suit
1116x1116mm
base frame kits
(in stock)

● Standard Screw
Fixing locations

--- Joists

— Decking Panel
Perimeter

STANDARD LAYOUT: EKODECK + PANELS



Ekodeck panels
suit 1144x1144mm
base frame kits
(special order)

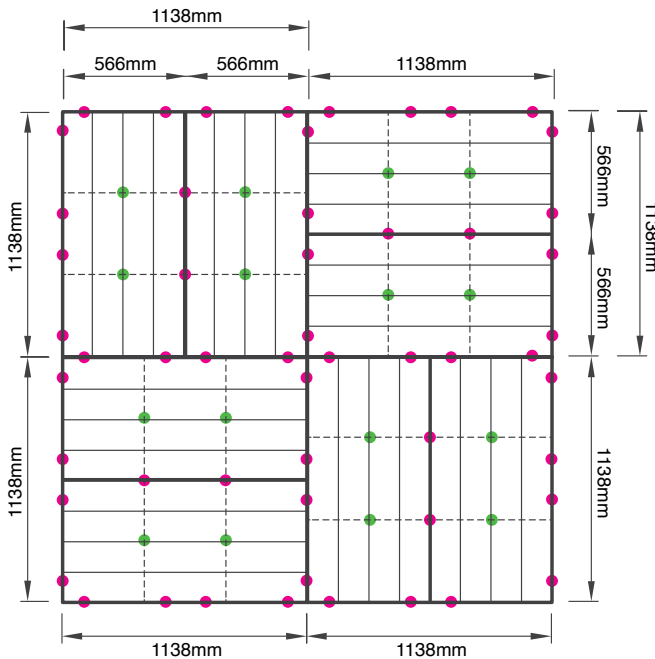
● Standard Screw
Fixing locations

● Lock-in Clip
Screw locations

--- Joists

— Decking Panel
Perimeter

PARQUETRY LAYOUT: EKODECK + PANELS



Ekodeck panels
suit 1144x1144mm
base frame kits
(special order)

● Standard Screw
Fixing locations

● Lock-in Clip
Screw locations

--- Joists

— Decking Panel
Perimeter